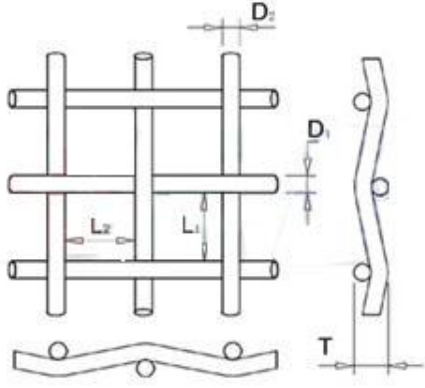


## Plain weave

 <p data-bbox="277 770 847 835">D1,D2 stand for wire diameter;L1,L2 stand for mesh;T stand for mesh thickness.</p>	<p data-bbox="967 320 1353 342" style="text-align: center;"><b>Plain weave stainless steel wire mesh</b></p> <p data-bbox="868 394 1390 459">Characteristics of plain weave stainless steel wire mesh:</p> <ol data-bbox="868 477 1390 748" style="list-style-type: none"> <li>1) Square hole, warp wire and weft wire are of equal size.</li> <li>2) Accurate in mesh size, high flow rate.</li> <li>3) High efficient screening, good stability, high opening rate, Low pressure loss.</li> <li>4) flat surface, wear-resistant, good air permeability, firm in structure, easy to clean.</li> </ol> <p data-bbox="868 766 1390 875">Plain weave stainless steel wire mesh is widely used in petrochemical, chemical fiber, rubber, metallurgy, medicine, food industry etc.</p>
---	--

### 3 mesh plain weave, wire 0.61-1.0mm

mesh	wire		aperture		open area		weight	
	mm	inch	mm	inch	rate %	mm <sup>2</sup>	kg/m <sup>2</sup>	lbs/m <sup>2</sup>
3	1	0.039	7.47	0.294	77.77	55.75	1.50	3.30
3	0.88	0.035	7.59	0.299	80.29	57.56	1.16	2.56
3	0.81	0.032	7.66	0.301	81.78	58.62	0.98	2.17
3	0.71	0.028	7.76	0.305	83.93	60.17	0.76	1.66
3	0.61	0.024	7.86	0.309	86.11	61.73	0.56	1.23

### 4 mesh plain weave, wire 0.51-1.0mm

mesh	wire		aperture		open area		weight	
	mm	inch	mm	inch	rate %	mm <sup>2</sup>	kg/m <sup>2</sup>	lbs/m <sup>2</sup>
4	1	0.039	5.35	0.211	70.98	28.62	2.00	4.40
4	0.88	0.035	5.47	0.215	74.20	29.92	1.55	3.41
4	0.81	0.032	5.54	0.218	76.12	30.69	1.31	2.89
4	0.71	0.028	5.64	0.222	78.89	31.81	1.01	2.22
4	0.63	0.025	5.72	0.225	81.14	32.72	0.79	1.75
4	0.61	0.024	5.74	0.226	81.71	32.95	0.74	1.64
4	0.56	0.022	5.79	0.228	83.14	33.52	0.63	1.38
4	0.51	0.020	5.84	0.230	84.58	34.11	0.52	1.14

### 5 mesh plain weave, wire 0.51-0.88mm

mesh	wire		aperture		open area		weight	
	mm	inch	mm	inch	rate %	mm <sup>2</sup>	kg/m <sup>2</sup>	lbs/m <sup>2</sup>

5	0.88	0.035	4.20	0.165	68.36	17.64	1.94	4.26
5	0.81	0.032	4.27	0.168	70.65	18.23	1.64	3.61
5	0.71	0.028	4.37	0.172	74.00	19.10	1.26	2.77
5	0.63	0.025	4.45	0.175	76.73	19.80	0.99	2.18
5	0.60	0.024	4.48	0.176	77.8	20.1	0.90	1.98
5	0.58	0.023	4.50	0.177	78.47	20.25	0.84	1.85
5	0.56	0.022	4.52	0.178	79.17	20.43	0.78	1.72
5	0.51	0.020	4.57	0.180	80.93	20.88	0.65	1.43

**6 mesh plain weave, wire 0.5-0.88mm**

mesh	wire		aperture		open area	open area	weight	
	mm	inch	mm	inch	rate %	mm <sup>2</sup>	kg/m <sup>2</sup>	lbs/m <sup>2</sup>
6	0.88	0.035	3.35	0.132	62.75	11.24	2.32	5.11
6	0.81	0.032	3.42	0.135	65.39	11.72	1.97	4.33
6	0.71	0.028	3.52	0.139	69.27	12.41	1.51	3.33
6	0.63	0.025	3.60	0.142	72.45	12.98	1.19	2.62
6	0.60	0.024	3.63	0.143	73.6	13.18	1.08	2.38
6	0.58	0.023	3.65	0.144	74.48	13.35	1.01	2.22
6	0.55	0.022	3.68	0.145	75.7	13.54	0.91	2.01
6	0.5	0.020	3.73	0.147	77.77	13.94	0.75	1.65

**8 mesh plain weave, wire 0.32-0.81mm**

mesh	wire		aperture		open area	open area	weight	
	mm	inch	mm	inch	rate %	mm <sup>2</sup>	kg/m <sup>2</sup>	lbs/m <sup>2</sup>
8	0.81	0.032	2.37	0.093	55.48	5.59	2.62	5.77
8	0.71	0.028	2.47	0.097	60.28	6.08	2.02	4.44
8	0.63	0.025	2.55	0.100	64.25	6.48	1.59	3.49
8	0.58	0.023	2.60	0.102	66.80	6.73	1.35	2.96
8	0.5	0.020	2.68	0.105	70.98	7.16	1.00	2.20
8	0.45	0.018	2.73	0.107	73.66	7.43	0.81	1.78
8	0.43	0.017	2.75	0.108	74.75	7.54	0.74	1.63
8	0.40	0.016	2.78	0.109	76.4	7.73	0.64	1.41
8	0.38	0.015	2.80	0.110	77.50	7.81	0.58	1.27
8	0.35	0.014	2.83	0.111	79.17	7.98	0.49	1.08
8	0.32	0.013	2.86	0.112	80.86	8.15	0.41	0.90

**9 mesh plain weave, wire 0.23-0.71mm**

mesh	wire		aperture		open area	open area	weight	
	mm	inch	mm	inch	rate %	mm <sup>2</sup>	kg/m <sup>2</sup>	lbs/m <sup>2</sup>
9	0.71	0.028	2.11	0.083	56.01	4.46	2.27	4.99
9	0.63	0.025	2.19	0.086	60.34	4.81	1.79	3.93
9	0.58	0.023	2.24	0.088	63.12	5.03	1.51	3.33
9	0.5	0.020	2.32	0.091	67.71	5.39	1.13	2.48

9	0.45	0.018	2.37	0.093	70.65	5.63	0.91	2.00
9	0.43	0.017	2.39	0.094	71.85	5.72	0.83	1.83
9	0.40	0.016	2.42	0.095	73.66	5.87	0.72	1.58
9	0.38	0.015	2.44	0.096	74.88	5.96	0.65	1.43
9	0.37	0.015	2.45	0.097	75.50	6.01	0.62	1.36
9	0.35	0.014	2.47	0.097	76.73	6.11	0.55	1.21
9	0.30	0.012	2.52	0.099	79.87	6.36	0.41	0.89
9	0.28	0.011	2.54	0.100	81.14	6.46	0.35	0.78
9	0.25	0.010	2.57	0.101	83.07	6.62	0.28	0.62
9	0.23	0.009	2.59	0.102	84.36	6.72	0.24	0.52

10 mesh plain weave, wire 0.30-0.63mm

mesh	wire		aperture		open area rate %	open area mm <sup>2</sup>	weight	
	mm	inch	mm	inch			kg/m <sup>2</sup>	lbs/m <sup>2</sup>
10	0.63	0.025	1.91	0.075	56.55	3.65	1.98	4.37
10	0.58	0.023	1.96	0.077	59.54	3.84	1.68	3.70
10	0.5	0.020	2.04	0.080	64.50	4.16	1.25	2.75
10	0.45	0.018	2.09	0.082	67.71	4.37	1.01	2.23
10	0.43	0.017	2.11	0.083	69.01	4.45	0.92	2.03
10	0.40	0.016	2.14	0.084	70.98	4.58	0.80	1.76
10	0.38	0.015	2.16	0.085	72.32	4.67	0.72	1.59
10	0.37	0.0146	2.17	0.085	72.9	4.71	0.68	1.49
10	0.35	0.0138	2.19	0.086	74.3	4.80	0.61	1.34
10	0.30	0.012	2.24	0.088	77.8	5.02	0.45	0.99

12 mesh plain weave, wire 0.21-0.58mm

mesh	wire		aperture		open area rate %	open area mm <sup>2</sup>	weight	
	mm	inch	mm	inch			kg/m <sup>2</sup>	lbs/m <sup>2</sup>
12	0.58	0.023	1.54	0.060	52.71	2.36	2.02	4.44
12	0.50	0.020	1.62	0.064	58.34	2.61	1.50	3.30
12	0.45	0.018	1.67	0.066	62.00	2.78	1.22	2.67
12	0.43	0.017	1.69	0.066	63.50	2.84	1.11	2.44
12	0.4	0.016	1.72	0.068	65.78	2.95	0.96	2.11
12	0.38	0.015	1.74	0.068	67.32	3.02	0.87	1.91
12	0.35	0.014	1.77	0.070	69.66	3.12	0.74	1.62
12	0.30	0.012	1.82	0.072	73.7	3.31	0.54	1.19
12	0.28	0.011	1.84	0.073	75.3	3.39	0.47	1.03
12	0.25	0.010	1.87	0.073	77.77	3.48	0.38	0.83
12	0.23	0.009	1.89	0.074	79.45	3.56	0.32	0.70
12	0.21	0.008	1.91	0.075	81.14	3.64	0.26	0.58

14 mesh plain weave, wire 0.15-0.58mm

mesh	wire	aperture	open area	open area	weight
------	------	----------	-----------	-----------	--------

	mm	inch	mm	inch	rate %	mm <sup>2</sup>	kg/m <sup>2</sup>	lbs/m <sup>2</sup>
14	0.58	0.023	1.23	0.049	46.28	1.52	2.35	5.18
14	0.5	0.020	1.31	0.052	52.48	1.73	1.75	3.85
14	0.45	0.018	1.36	0.054	56.55	1.86	1.42	3.12
14	0.43	0.017	1.38	0.054	58.22	1.92	1.29	2.85
14	0.4	0.016	1.41	0.056	60.77	2.00	1.12	2.46
14	0.38	0.015	1.43	0.056	62.50	2.06	1.01	2.22
14	0.35	0.014	1.46	0.058	65.14	2.14	0.86	1.89
14	0.34	0.013	1.47	0.058	66.03	2.17	0.81	1.78
14	0.33	0.013	1.48	0.058	66.93	2.20	0.76	1.68
14	0.30	0.012	1.51	0.060	69.66	2.29	0.63	1.39
14	0.27	0.011	1.54	0.061	72.45	2.38	0.51	1.12
14	0.25	0.010	1.56	0.062	74.34	2.45	0.44	0.96
14	0.23	0.009	1.58	0.062	76.25	2.51	0.37	0.81
14	0.21	0.008	1.60	0.063	78.19	2.57	0.31	0.68
14	0.19	0.007	1.62	0.064	80.15	2.64	0.25	0.56
14	0.17	0.007	1.64	0.065	82.14	2.70	0.20	0.45
14	0.15	0.006	1.66	0.066	84.15	2.77	0.16	0.35

16 mesh plain weave, wire 0.15-0.5mm

mesh	wire	aperture		open area	open area	weight		
	mm	inch	mm	inch	rate %	mm <sup>2</sup>	kg/m <sup>2</sup>	lbs/m <sup>2</sup>
16	0.5	0.020	1.09	0.043	46.93	1.18	2.00	4.40
16	0.45	0.018	1.14	0.045	51.34	1.29	1.62	3.56
16	0.43	0.017	1.16	0.046	53.16	1.34	1.48	3.25
16	0.4	0.016	1.19	0.047	55.96	1.41	1.28	2.82
16	0.38	0.015	1.21	0.048	57.86	1.46	1.16	2.54
16	0.35	0.014	1.24	0.049	60.77	1.53	0.98	2.16
16	0.34	0.013	1.25	0.049	61.75	1.56	0.92	2.03
16	0.33	0.013	1.26	0.050	62.75	1.58	0.87	1.92
16	0.3	0.012	1.29	0.051	65.78	1.66	0.72	1.58
16	0.27	0.011	1.32	0.052	68.88	1.74	0.58	1.28
16	0.25	0.010	1.34	0.053	70.98	1.79	0.50	1.10
16	0.24	0.009	1.35	0.053	72.05	1.82	0.46	1.01
16	0.22	0.009	1.37	0.054	74.20	1.87	0.39	0.85
16	0.19	0.007	1.40	0.055	77.50	1.95	0.29	0.64
16	0.17	0.007	1.42	0.056	79.73	2.01	0.23	0.51
16	0.15	0.006	1.44	0.057	82.00	2.07	0.18	0.40

18 mesh plain weave, wire 0.15-0.5mm

mesh	wire	aperture		open area	open area	weight		
	mm	inch	mm	inch	rate %	mm <sup>2</sup>	kg/m <sup>2</sup>	lbs/m <sup>2</sup>
18	0.5	0.020	0.91	0.036	41.69	0.83	2.25	4.95

18	0.45	0.018	0.96	0.038	46.39	0.92	1.82	4.01
18	0.43	0.017	0.98	0.039	48.34	0.96	1.66	3.66
18	0.4	0.016	1.01	0.040	51.34	1.02	1.44	3.17
18	0.38	0.015	1.03	0.041	53.39	1.06	1.30	2.86
18	0.35	0.014	1.06	0.042	56.55	1.13	1.10	2.43
18	0.34	0.013	1.07	0.042	57.62	1.15	1.04	2.29
18	0.33	0.013	1.08	0.043	58.70	1.17	0.98	2.16
18	0.3	0.012	1.11	0.044	62.00	1.23	0.81	1.78
18	0.27	0.011	1.14	0.045	65.39	1.30	0.66	1.44
18	0.25	0.010	1.16	0.046	67.71	1.35	0.56	1.24
18	0.24	0.009	1.17	0.046	68.88	1.37	0.52	1.14
18	0.22	0.009	1.19	0.047	71.25	1.42	0.44	0.96
18	0.19	0.007	1.22	0.048	74.88	1.49	0.32	0.71
18	0.17	0.007	1.24	0.049	77.36	1.54	0.26	0.57
18	0.15	0.006	1.26	0.050	79.87	1.59	0.20	0.45

20 mesh plain weave, wire 0.13-0.50mm

mesh	wire		aperture		open area rate %	open area mm <sup>2</sup>	weight	
	mm	inch	mm	inch			kg/m <sup>2</sup>	lbs/m <sup>2</sup>
20	0.5	0.020	0.77	0.030	36.76	0.59	2.50	5.50
20	0.45	0.018	0.82	0.032	41.69	0.67	2.03	4.46
20	0.43	0.017	0.84	0.033	43.75	0.71	1.85	4.07
20	0.4	0.016	0.87	0.034	46.93	0.76	1.60	3.52
20	0.38	0.015	0.89	0.035	49.11	0.79	1.44	3.18
20	0.35	0.014	0.92	0.036	52.48	0.85	1.23	2.70
20	0.34	0.013	0.93	0.037	53.62	0.86	1.16	2.54
20	0.33	0.013	0.94	0.037	54.78	0.88	1.09	2.40
20	0.3	0.012	0.97	0.038	58.34	0.94	0.90	1.98
20	0.27	0.011	1.00	0.039	62.00	1.00	0.73	1.60
20	0.25	0.010	1.02	0.040	64.50	1.04	0.63	1.38
20	0.24	0.009	1.03	0.041	65.78	1.06	0.58	1.27
20	0.22	0.009	1.05	0.041	68.36	1.10	0.48	1.06
20	0.19	0.007	1.08	0.043	72.32	1.17	0.36	0.79
20	0.17	0.007	1.10	0.043	75.02	1.21	0.29	0.64
20	0.15	0.006	1.12	0.044	77.77	1.25	0.23	0.50
20	0.13	0.005	1.14	0.045	80.58	1.30	0.17	0.37

22 mesh plain weave, wire 0.13-0.40mm

mesh	wire		aperture		open area rate %	open area mm <sup>2</sup>	weight	
	mm	inch	mm	inch			kg/m <sup>2</sup>	lbs/m <sup>2</sup>
22	0.13	0.005	1.02	0.040	78.75	1.05	0.19	0.41
22	0.15	0.006	1.00	0.040	75.70	1.01	0.25	0.54
22	0.17	0.007	0.98	0.039	72.72	0.97	0.32	0.70

22	0.19	0.007	0.96	0.038	69.79	0.93	0.40	0.87
22	0.20	0.008	0.95	0.038	68.36	0.91	0.44	0.97
22	0.25	0.010	0.90	0.036	61.38	0.82	0.69	1.51
22	0.28	0.011	0.87	0.034	57.38	0.76	0.86	1.90
22	0.30	0.012	0.85	0.034	54.78	0.73	0.99	2.18
22	0.32	0.013	0.83	0.033	52.25	0.70	1.13	2.48
22	0.35	0.014	0.80	0.032	48.56	0.65	1.35	2.96
22	0.36	0.014	0.79	0.031	47.36	0.63	1.43	3.14
22	0.40	0.016	0.75	0.030	42.71	0.57	1.76	3.87

24 mesh plain weave, wire 0.16-0.40mm

mesh	wire		aperture		open area	open area	weight	
	mm	inch	mm	inch	rate %	mm <sup>2</sup>	kg/m <sup>2</sup>	lbs/m <sup>2</sup>
24	0.4	0.016	0.66	0.026	38.69	0.43	1.92	4.22
24	0.38	0.015	0.68	0.027	41.08	0.46	1.73	3.81
24	0.35	0.014	0.71	0.028	44.80	0.50	1.47	3.23
24	0.34	0.013	0.72	0.028	46.07	0.52	1.39	3.05
24	0.33	0.013	0.73	0.029	47.36	0.53	1.31	2.87
24	0.3	0.012	0.76	0.030	51.34	0.58	1.08	2.38
24	0.27	0.011	0.79	0.031	55.48	0.62	0.87	1.92
24	0.25	0.010	0.81	0.032	58.34	0.65	0.75	1.65
24	0.24	0.009	0.82	0.032	59.79	0.67	0.69	1.52
24	0.22	0.009	0.84	0.033	62.75	0.70	0.58	1.28
24	0.21	0.008	0.85	0.033	64.25	0.72	0.53	1.16
24	0.2	0.008	0.86	0.034	65.78	0.74	0.48	1.06
24	0.19	0.007	0.87	0.034	67.32	0.75	0.43	0.95
24	0.17	0.007	0.89	0.035	70.45	0.79	0.35	0.76
24	0.16	0.006	0.90	0.035	72.05	0.81	0.31	0.68

25 mesh plain weave, wire 0.15-0.37mm

mesh	wire		aperture		open area	open area	weight	
	mm	inch	mm	inch	rate %	mm <sup>2</sup>	kg/m <sup>2</sup>	lbs/m <sup>2</sup>
25	0.15	0.006	0.87	0.034	72.65	0.75	0.28	0.62
25	0.20	0.008	0.82	0.032	64.50	0.67	0.50	1.10
25	0.28	0.011	0.74	0.029	52.48	0.54	0.98	2.16
25	0.37	0.015	0.65	0.025	40.43	0.42	1.71	3.76

26 mesh plain weave, wire 0.19-0.34mm

mesh	wire		aperture		open area	open area	weight	
	mm	inch	mm	inch	rate %	mm <sup>2</sup>	kg/m <sup>2</sup>	lbs/m <sup>2</sup>
26	0.34	0.013	0.64	0.025	42.51	0.41	1.50	3.31
26	0.32	0.013	0.66	0.026	45.22	0.43	1.33	2.93
26	0.3	0.012	0.68	0.027	48.01	0.46	1.17	2.57

26	0.27	0.011	0.71	0.028	52.36	0.50	0.95	2.08
26	0.25	0.010	0.73	0.029	55.37	0.53	0.81	1.79
26	0.23	0.009	0.75	0.029	58.46	0.56	0.69	1.51
26	0.21	0.008	0.77	0.030	61.63	0.59	0.57	1.26
26	0.19	0.007	0.79	0.031	64.88	0.62	0.47	1.03

27 mesh plain weave, wire 0.30mm, 0.27mm

mesh	wire		aperture		open area rate %	open area mm <sup>2</sup>	weight	
	mm	inch	mm	inch			kg/m <sup>2</sup>	lbs/m <sup>2</sup>
27	0.27	0.011	0.67	0.026	50.84	0.45	0.98	2.17
27	0.30	0.012	0.64	0.025	46.39	0.41	1.22	2.67

28 mesh plain weave, wire 0.19mm-0.35mm

mesh	wire		aperture		open area rate %	open area mm <sup>2</sup>	weight	
	mm	inch	mm	inch			kg/m <sup>2</sup>	lbs/m <sup>2</sup>
28	0.35	0.014	0.56	0.022	37.72	0.31	1.72	3.77
28	0.34	0.013	0.57	0.022	39.09	0.32	1.62	3.56
28	0.33	0.013	0.58	0.023	40.48	0.33	1.52	3.35
28	0.30	0.012	0.61	0.024	44.80	0.37	1.26	2.77
28	0.27	0.011	0.64	0.025	49.33	0.41	1.02	2.25
28	0.25	0.010	0.66	0.026	52.48	0.43	0.88	1.93
28	0.24	0.009	0.67	0.026	54.09	0.45	0.81	1.77
28	0.22	0.009	0.69	0.027	57.38	0.47	0.68	1.49
28	0.21	0.008	0.70	0.027	59.06	0.49	0.62	1.36
28	0.20	0.008	0.71	0.028	60.77	0.50	0.56	1.23
28	0.19	0.007	0.72	0.028	62.50	0.51	0.51	1.11

30 mesh plain weave 30 mesh stainless steel wire...

mesh	wire		aperture		open area rate %	open area mm <sup>2</sup>	weight	
	mm	inch	mm	inch			kg/m <sup>2</sup>	lbs/m <sup>2</sup>
30	0.15	0.006	0.70	0.027	67.71	0.49	0.34	0.74
30	0.16	0.006	0.69	0.027	65.78	0.47	0.38	0.84
30	0.17	0.007	0.68	0.027	63.87	0.46	0.43	0.95
30	0.19	0.007	0.66	0.026	60.15	0.43	0.54	1.19
30	0.20	0.008	0.65	0.025	58.34	0.42	0.60	1.32
30	0.21	0.008	0.64	0.025	56.55	0.41	0.66	1.46
30	0.23	0.009	0.62	0.024	53.05	0.38	0.79	1.75
30	0.24	0.009	0.61	0.024	51.34	0.37	0.86	1.90
30	0.25	0.010	0.60	0.023	49.66	0.36	0.94	2.06
30	0.26	0.010	0.59	0.023	48.01	0.34	1.01	2.23
30	0.27	0.011	0.58	0.023	46.39	0.33	1.09	2.41
30	0.28	0.011	0.57	0.022	44.80	0.32	1.18	2.59
30	0.30	0.012	0.55	0.022	41.69	0.30	1.35	2.97

35 mesh plain weave, wire 0.20-0.25mm

mesh	wire		aperture		open area		weight	
	mm	inch	mm	inch	rate %	mm <sup>2</sup>	kg/m <sup>2</sup>	lbs/m <sup>2</sup>
35	0.20	0.008	0.53	0.021	52.48	0.28	0.70	1.54
35	0.24	0.009	0.49	0.019	44.80	0.24	1.01	2.22
35	0.25	0.010	0.48	0.019	42.97	0.23	1.09	2.41

36 mesh plain weave, wire 0.10-0.25mm

mesh	wire		aperture		open area		weight	
	mm	inch	mm	inch	rate %	mm <sup>2</sup>	kg/m <sup>2</sup>	lbs/m <sup>2</sup>
36	0.10	0.004	0.61	0.024	73.66	0.37	0.18	0.40
36	0.11	0.004	0.60	0.023	71.25	0.35	0.22	0.48
36	0.17	0.007	0.54	0.021	57.62	0.29	0.52	1.14
36	0.19	0.007	0.52	0.020	53.39	0.27	0.65	1.43
36	0.20	0.008	0.51	0.020	51.34	0.26	0.72	1.58
36	0.21	0.008	0.50	0.020	49.33	0.25	0.79	1.75
36	0.22	0.009	0.49	0.019	47.36	0.24	0.87	1.92
36	0.25	0.010	0.46	0.018	41.69	0.21	1.13	2.48

40 mesh plain weave, wire 0.12mm-0.27mm

mesh	wire		aperture		open area		weight	
	mm	inch	mm	inch	rate %	mm <sup>2</sup>	kg/m <sup>2</sup>	lbs/m <sup>2</sup>
40	0.12	0.005	0.52	0.020	65.78	0.27	0.29	0.63
40	0.13	0.005	0.51	0.020	63.25	0.26	0.34	0.74
40	0.14	0.006	0.50	0.019	60.77	0.25	0.39	0.86
40	0.15	0.006	0.49	0.019	58.34	0.24	0.45	0.99
40	0.17	0.007	0.47	0.018	53.62	0.22	0.58	1.27
40	0.18	0.007	0.46	0.018	51.34	0.21	0.65	1.43
40	0.19	0.007	0.45	0.018	49.11	0.20	0.72	1.59
40	0.20	0.008	0.44	0.017	46.93	0.19	0.80	1.76
40	0.21	0.008	0.43	0.017	44.80	0.18	0.88	1.94
40	0.23	0.009	0.41	0.016	40.68	0.16	1.06	2.33
40	0.25	0.010	0.39	0.015	36.76	0.15	1.25	2.75
40	0.26	0.010	0.38	0.015	34.88	0.14	1.35	2.97
40	0.27	0.011	0.37	0.014	33.04	0.13	1.46	3.21

50 mesh plain weave, wire 0.23-0.10mm

mesh	wire		aperture		open area		weight	
	mm	inch	mm	inch	rate %	mm <sup>2</sup>	kg/m <sup>2</sup>	lbs/m <sup>2</sup>
50	0.10	0.004	0.41	0.016	64.50	0.17	0.25	0.55
50	0.12	0.005	0.39	0.015	58.34	0.15	0.36	0.79
50	0.13	0.005	0.38	0.015	55.37	0.14	0.42	0.93



50	0.14	0.006	0.37	0.014	52.48	0.14	0.49	1.08
50	0.15	0.006	0.36	0.014	49.66	0.13	0.56	1.24
50	0.16	0.006	0.35	0.014	46.93	0.12	0.64	1.41
50	0.17	0.007	0.34	0.013	44.27	0.11	0.72	1.59
50	0.18	0.007	0.33	0.013	41.69	0.11	0.81	1.78
50	0.19	0.007	0.32	0.013	39.19	0.10	0.90	1.99
50	0.20	0.008	0.31	0.012	36.76	0.09	1.00	2.20
50	0.21	0.008	0.30	0.012	34.41	0.09	1.10	2.43
50	0.22	0.009	0.29	0.011	32.14	0.08	1.21	2.66
50	0.23	0.009	0.28	0.011	29.95	0.08	1.32	2.91

60 mesh plain weave, wire 0.09-0.21mm

mesh	wire		aperture		open area rate %	open area mm <sup>2</sup>	weight	
	mm	inch	mm	inch			kg/m <sup>2</sup>	lbs/m <sup>2</sup>
60	0.09	0.004	0.33	0.013	62.00	0.11	0.24	0.53
60	0.10	0.004	0.32	0.013	58.34	0.10	0.30	0.66
60	0.12	0.005	0.30	0.012	51.34	0.09	0.43	0.95
60	0.13	0.005	0.29	0.012	48.01	0.09	0.51	1.12
60	0.14	0.006	0.28	0.011	44.80	0.08	0.59	1.29
60	0.15	0.006	0.27	0.011	41.69	0.07	0.68	1.49
60	0.16	0.006	0.26	0.010	38.69	0.07	0.77	1.69
60	0.17	0.007	0.25	0.010	35.81	0.06	0.87	1.91
60	0.18	0.007	0.24	0.010	33.04	0.06	0.97	2.14
60	0.19	0.007	0.23	0.009	30.38	0.05	1.08	2.38
60	0.21	0.008	0.21	0.008	25.40	0.05	1.32	2.91

70 mesh plain weave, wire 0.15mm-0.12mm

mesh	wire		aperture		open area rate %	open area mm <sup>2</sup>	weight	
	mm	inch	mm	inch			kg/m <sup>2</sup>	lbs/m <sup>2</sup>
70	0.12	0.005	0.24	0.010	44.80	0.06	0.50	1.11
70	0.13	0.005	0.23	0.009	41.18	0.05	0.59	1.30
70	0.15	0.006	0.21	0.008	34.41	0.05	0.79	1.73

80 mesh plain weave, wire 0.08mm-0.17mm

mesh	wire		aperture		open area rate %	open area mm <sup>2</sup>	weight	
	mm	inch	mm	inch			kg/m <sup>2</sup>	lbs/m <sup>2</sup>
80	0.08	0.003	0.24	0.009	55.96	0.06	0.26	0.56
80	0.09	0.004	0.23	0.009	51.34	0.05	0.32	0.71
80	0.10	0.004	0.22	0.009	46.93	0.05	0.40	0.88
80	0.12	0.005	0.20	0.008	38.69	0.04	0.58	1.27
80	0.13	0.005	0.19	0.007	34.88	0.04	0.68	1.49
80	0.14	0.006	0.18	0.007	31.25	0.03	0.78	1.72
80	0.15	0.006	0.17	0.007	27.83	0.03	0.90	1.98

80	0.17	0.007	0.15	0.006	21.58	0.02	1.16	2.54
----	------	-------	------	-------	-------	------	------	------

90 mesh plain weave, wire 0.09mm-0.12mm

mesh	wire		aperture		open area		weight	
	mm	inch	mm	inch	rate %	mm <sup>2</sup>	kg/m <sup>2</sup>	lbs/m <sup>2</sup>
90	0.09	0.004	0.19	0.008	46.39	0.04	0.36	0.80
90	0.10	0.004	0.18	0.007	41.69	0.03	0.45	0.99
90	0.11	0.004	0.17	0.007	37.24	0.03	0.54	1.20
90	0.12	0.005	0.16	0.006	33.04	0.03	0.65	1.43

100 mesh plain weave, wire 0.06mm-0.12mm

mesh	wire		aperture		open area		weight	
	mm	inch	mm	inch	rate %	mm <sup>2</sup>	kg/m <sup>2</sup>	lbs/m <sup>2</sup>
100	0.06	0.002	0.19	0.008	58.34	0.04	0.18	0.40
100	0.07	0.003	0.18	0.007	52.48	0.03	0.25	0.54
100	0.08	0.003	0.17	0.007	46.93	0.03	0.32	0.70
100	0.09	0.004	0.16	0.006	41.69	0.03	0.41	0.89
100	0.10	0.004	0.15	0.006	36.76	0.02	0.50	1.10
100	0.11	0.004	0.14	0.006	32.14	0.02	0.61	1.33
100	0.12	0.005	0.13	0.005	27.83	0.02	0.72	1.58

110 mesh plain weave, wire 0.07mm-0.10mm

mesh	wire		aperture		open area		weight	
	mm	inch	mm	inch	rate %	mm <sup>2</sup>	kg/m <sup>2</sup>	lbs/m <sup>2</sup>
110	0.07	0.003	0.16	0.006	48.56	0.03	0.27	0.59
110	0.08	0.003	0.15	0.006	42.71	0.02	0.35	0.77
110	0.09	0.004	0.14	0.006	37.24	0.02	0.45	0.98
110	0.10	0.004	0.13	0.005	32.14	0.02	0.55	1.21

120 mesh plain weave, wire 0.06-0.10mm

mesh	wire		aperture		open area		weight	
	mm	inch	mm	inch	rate %	mm <sup>2</sup>	kg/m <sup>2</sup>	lbs/m <sup>2</sup>
120	0.06	0.002	0.15	0.006	51.34	0.02	0.22	0.48
120	0.07	0.003	0.14	0.006	44.80	0.02	0.29	0.65
120	0.08	0.003	0.13	0.005	38.69	0.02	0.38	0.84
120	0.09	0.004	0.12	0.005	33.04	0.01	0.49	1.07
120	0.10	0.004	0.11	0.004	27.83	0.01	0.60	1.32

140 mesh plain weave, wire 0.06mm-0.08mm

mesh	wire		aperture		open area		weight	
	mm	inch	mm	inch	rate %	mm <sup>2</sup>	kg/m <sup>2</sup>	lbs/m <sup>2</sup>
140	0.06	0.002	0.12	0.005	44.80	0.01	0.25	0.55
140	0.07	0.003	0.11	0.004	37.72	0.01	0.34	0.75

140	0.08	0.003	0.10	0.004	31.25	0.01	0.45	0.99
-----	------	-------	------	-------	-------	------	------	------

**145 mesh plain weave, wire 0.06mm, 0.07mm**

mesh	wire		aperture		open area		weight	
	mm	inch	mm	inch	rate %	mm <sup>2</sup>	kg/m <sup>2</sup>	lbs/m <sup>2</sup>
145	0.06	0.002	0.12	0.005	47.06	0.01	0.22	0.48
145	0.07	0.003	0.11	0.004	39.56	0.01	0.31	0.67

**150 mesh plain weave, wire 0.05-0.08mm**

mesh	wire		aperture		open area		weight	
	mm	inch	mm	inch	rate %	mm <sup>2</sup>	kg/m <sup>2</sup>	lbs/m <sup>2</sup>
150	0.05	0.002	0.12	0.005	49.66	0.01	0.19	0.41
150	0.06	0.002	0.11	0.004	41.69	0.01	0.27	0.59
150	0.07	0.003	0.10	0.004	34.41	0.01	0.37	0.81
150	0.08	0.003	0.09	0.004	27.83	0.01	0.48	1.06

**160 mesh plain weave, wire 0.04mm-0.08mm**

mesh	wire		aperture		open area		weight	
	mm	inch	mm	inch	rate %	mm <sup>2</sup>	kg/m <sup>2</sup>	lbs/m <sup>2</sup>
160	0.04	0.001	0.12	0.005	60.77	0.02	0.10	0.22
160	0.05	0.002	0.11	0.004	51.34	0.01	0.16	0.36
160	0.06	0.002	0.10	0.004	38.69	0.01	0.29	0.63
160	0.07	0.003	0.09	0.003	31.25	0.01	0.39	0.86
160	0.08	0.003	0.08	0.003	24.61	0.01	0.51	1.13

**170 mesh plain weave, wire 0.05mm, 0.06mm**

mesh	wire		aperture		open area		weight	
	mm	inch	mm	inch	rate %	mm <sup>2</sup>	kg/m <sup>2</sup>	lbs/m <sup>2</sup>
170	0.05	0.002	0.10	0.004	44.27	0.01	0.21	0.47
170	0.06	0.002	0.09	0.004	35.81	0.01	0.31	0.67

**180 mesh plain weave, wire 0.03-0.06mm**

mesh	wire		aperture		open area		weight	
	mm	inch	mm	inch	rate %	mm <sup>2</sup>	kg/m <sup>2</sup>	lbs/m <sup>2</sup>
180	0.03	0.001	0.11	0.004	62.00	0.01	0.08	0.18
180	0.04	0.002	0.10	0.004	51.34	0.01	0.14	0.32
180	0.05	0.002	0.09	0.004	41.69	0.01	0.23	0.50
180	0.06	0.002	0.08	0.003	33.04	0.01	0.32	0.71

**200 mesh plain weave, wire 0.05mm, 0.06mm**

mesh	wire		aperture		open area		weight	
	mm	inch	mm	inch	rate %	mm <sup>2</sup>	kg/m <sup>2</sup>	lbs/m <sup>2</sup>
200	0.05	0.002	0.08	0.003	36.76	0.01	0.25	0.55

200	0.06	0.002	0.07	0.003	27.83	0.00	0.36	0.79
-----	------	-------	------	-------	-------	------	------	------

225 mesh plain weave, wire 0.05mm

mesh	wire		aperture		open area		weight	
	mm	inch	mm	inch	rate %	mm <sup>2</sup>	kg/m <sup>2</sup>	lbs/m <sup>2</sup>
225	0.05	0.002	0.06	0.002	31.03	0.00	0.28	0.62

240 mesh plain weave, wire 0.04mm

mesh	wire		aperture		open area		weight	
	mm	inch	mm	inch	rate %	mm <sup>2</sup>	kg/m <sup>2</sup>	lbs/m <sup>2</sup>
240	0.04	0.002	0.07	0.003	38.69	0.00	0.19	0.42

250 mesh plain weave, wire 0.03mm, 0.04mm

mesh	wire		aperture		open area		weight	
	mm	inch	mm	inch	rate %	mm <sup>2</sup>	kg/m <sup>2</sup>	lbs/m <sup>2</sup>
250	0.03	0.001	0.07	0.003	49.66	0.01	0.11	0.25
250	0.04	0.002	0.06	0.002	36.76	0.00	0.20	0.44

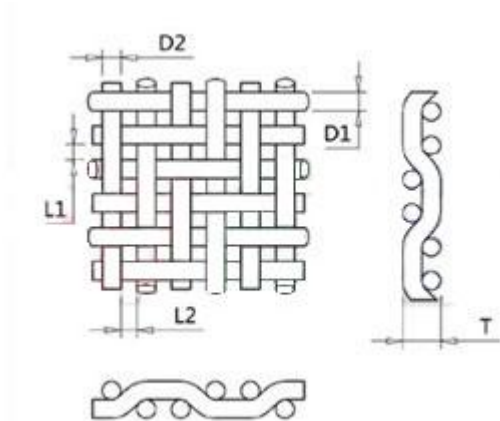
280 mesh plain weave, wire 0.04mm

mesh	wire		aperture		open area		weight	
	mm	inch	mm	inch	rate %	mm <sup>2</sup>	kg/m <sup>2</sup>	lbs/m <sup>2</sup>
280	0.04	0.002	0.05	0.002	31.25	0.00	0.22	0.49

300 mesh plain weave, wire 0.03mm, 0.04mm

mesh	wire		aperture		open area		weight	
	mm	inch	mm	inch	rate %	mm <sup>2</sup>	kg/m <sup>2</sup>	lbs/m <sup>2</sup>
300	0.03	0.001	0.05	0.002	41.69	0.00	0.14	0.30
300	0.04	0.002	0.04	0.002	27.83	0.00	0.24	0.53

## Twill weave



### 20 mesh twill weave, wire 0.71-0.24mm

mesh	wire		aperture		open area		weight	
	mm	inch	mm	inch	rate %	mm <sup>2</sup>	kg/m <sup>2</sup>	lbs/m <sup>2</sup>
20	0.71	0.028	0.56	0.022	19.44	0.31	5.04	11.09
20	0.63	0.025	0.64	0.025	25.40	0.41	3.97	8.73
20	0.58	0.023	0.69	0.027	29.52	0.48	3.36	7.40
20	0.5	0.020	0.77	0.030	36.76	0.59	2.50	5.50
20	0.45	0.018	0.82	0.032	41.69	0.67	2.03	4.46
20	0.43	0.017	0.84	0.033	43.75	0.71	1.85	4.07
20	0.4	0.016	0.87	0.034	46.93	0.76	1.60	3.52
20	0.38	0.015	0.89	0.035	49.11	0.79	1.44	3.18
20	0.35	0.014	0.92	0.036	52.48	0.85	1.23	2.70
20	0.34	0.013	0.93	0.037	53.62	0.86	1.16	2.54
20	0.33	0.013	0.94	0.037	54.78	0.88	1.09	2.40
20	0.3	0.012	0.97	0.038	58.34	0.94	0.90	1.98
20	0.27	0.011	1.00	0.039	62.00	1.00	0.73	1.60
20	0.25	0.010	1.02	0.040	64.50	1.04	0.63	1.38
20	0.24	0.009	1.03	0.041	65.78	1.06	0.58	1.27

### 24 mesh twill weave, wire 0.58-0.30mm

mesh	wire		aperture		open area		weight	
	mm	inch	mm	inch	rate %	mm <sup>2</sup>	kg/m <sup>2</sup>	lbs/m <sup>2</sup>
24	0.58	0.023	0.48	0.019	20.43	0.23	4.04	8.88
24	0.50	0.020	0.56	0.022	27.83	0.31	3.00	6.60
24	0.45	0.018	0.61	0.024	33.04	0.37	2.43	5.35
24	0.43	0.017	0.63	0.025	35.25	0.39	2.22	4.88
24	0.4	0.016	0.66	0.026	38.69	0.43	1.92	4.22
24	0.38	0.015	0.68	0.027	41.08	0.46	1.73	3.81
24	0.35	0.014	0.71	0.028	44.80	0.50	1.47	3.23

24	0.34	0.013	0.72	0.028	46.07	0.52	1.39	3.05
24	0.33	0.013	0.73	0.029	47.36	0.53	1.31	2.87
24	0.30	0.012	0.76	0.030	51.34	0.58	1.08	2.38

### 26 mesh twill weave, wire 0.45mm-0.30mm

mesh	wire		aperture		open area	open area	weight	
	mm	inch	mm	inch	rate %	mm <sup>2</sup>	kg/m <sup>2</sup>	lbs/m <sup>2</sup>
26	0.45	0.018	0.53	0.021	29.09	0.28	2.63	5.79
26	0.40	0.016	0.58	0.023	34.88	0.33	2.08	4.58
26	0.34	0.013	0.64	0.025	42.51	0.41	1.50	3.31
26	0.32	0.013	0.66	0.026	45.22	0.43	1.33	2.93
26	0.30	0.012	0.68	0.027	48.01	0.46	1.17	2.57

### 28 mesh twill weave, wire 0.45-0.25mm

mesh	wire		aperture		open area	open area	weight	
	mm	inch	mm	inch	rate %	mm <sup>2</sup>	kg/m <sup>2</sup>	lbs/m <sup>2</sup>
28	0.45	0.018	0.46	0.018	25.40	0.21	2.84	6.24
28	0.43	0.017	0.48	0.019	27.67	0.23	2.59	5.69
28	0.40	0.016	0.51	0.020	31.25	0.26	2.24	4.93
28	0.38	0.015	0.53	0.021	33.77	0.28	2.02	4.45
28	0.35	0.014	0.56	0.022	37.72	0.31	1.72	3.77
28	0.34	0.013	0.57	0.022	39.09	0.32	1.62	3.56
28	0.33	0.013	0.58	0.023	40.48	0.33	1.52	3.35
28	0.30	0.012	0.61	0.024	44.80	0.37	1.26	2.77
28	0.27	0.011	0.64	0.025	49.33	0.41	1.02	2.25
28	0.25	0.010	0.66	0.026	52.48	0.43	0.88	1.93

### 30 mesh twill weave, wire 0.40mm-0.30mm

mesh	wire		aperture		open area	open area	weight	
	mm	inch	mm	inch	rate %	mm <sup>2</sup>	kg/m <sup>2</sup>	lbs/m <sup>2</sup>
30	0.30	0.012	0.55	0.022	41.69	0.30	1.35	2.97
30	0.35	0.014	0.50	0.020	34.41	0.25	1.84	4.04
30	0.40	0.016	0.45	0.018	27.83	0.20	2.40	5.28

### 40 mesh twill weave, wire 0.20-0.34mm

mesh	wire		aperture		open area	open area	weight	
	mm	inch	mm	inch	rate %	mm <sup>2</sup>	kg/m <sup>2</sup>	lbs/m <sup>2</sup>
40	0.20	0.008	0.44	0.017	46.93	0.19	0.80	1.76
40	0.21	0.008	0.43	0.017	44.80	0.18	0.88	1.94
40	0.23	0.009	0.41	0.016	40.68	0.16	1.06	2.33
40	0.25	0.010	0.39	0.015	36.76	0.15	1.25	2.75
40	0.26	0.010	0.38	0.015	34.88	0.14	1.35	2.97
40	0.27	0.011	0.37	0.014	33.04	0.13	1.46	3.21

40	0.30	0.012	0.34	0.013	27.83	0.11	1.80	3.96
40	0.33	0.013	0.31	0.012	23.07	0.09	2.18	4.79
40	0.34	0.013	0.30	0.012	21.58	0.09	2.31	5.09

### 50 mesh twill weave, wire 0.22-0.25mm

mesh	wire		aperture		open area	open area	weight	
	mm	inch	mm	inch	rate %	mm <sup>2</sup>	kg/m <sup>2</sup>	lbs/m <sup>2</sup>
50	0.25	0.010	0.26	0.010	25.79	0.07	1.57	3.45
50	0.24	0.009	0.27	0.011	27.83	0.07	1.44	3.18
50	0.22	0.009	0.29	0.011	32.14	0.08	1.21	2.67

### 60 mesh twill weave, wire 0.12mm-0.27mm

mesh	wire		aperture		open area	open area	weight	
	mm	inch	mm	inch	rate %	mm <sup>2</sup>	kg/m <sup>2</sup>	lbs/m <sup>2</sup>
60	0.12	0.005	0.30	0.012	51.34	0.09	0.43	0.95
60	0.13	0.005	0.29	0.012	48.01	0.09	0.51	1.12
60	0.14	0.006	0.28	0.011	44.80	0.08	0.59	1.29
60	0.15	0.006	0.27	0.011	41.69	0.07	0.68	1.49
60	0.16	0.006	0.26	0.010	38.69	0.07	0.77	1.69
60	0.17	0.007	0.25	0.010	35.81	0.06	0.87	1.91
60	0.18	0.007	0.24	0.010	33.04	0.06	0.97	2.14
60	0.19	0.007	0.23	0.009	30.38	0.05	1.08	2.38
60	0.21	0.008	0.21	0.008	25.40	0.05	1.32	2.91
60	0.24	0.009	0.18	0.007	18.76	0.03	1.73	3.80
60	0.25	0.010	0.17	0.007	16.76	0.03	1.88	4.13
60	0.27	0.011	0.15	0.006	13.12	0.02	2.19	4.81

### 70 mesh twill weave 70 mesh stainless steel wire...

mesh	wire		aperture		open area	open area	weight	
	mm	inch	mm	inch	rate %	mm <sup>2</sup>	kg/m <sup>2</sup>	lbs/m <sup>2</sup>
70	0.17	0.007	0.19	0.008	28.25	0.04	1.01	2.23
70	0.15	0.006	0.21	0.008	34.41	0.05	0.79	1.73

### 80 mesh twill weave, wire 0.10mm-0.17mm

mesh	wire		aperture		open area	open area	weight	
	mm	inch	mm	inch	rate %	mm <sup>2</sup>	kg/m <sup>2</sup>	lbs/m <sup>2</sup>
80	0.10	0.004	0.22	0.009	46.93	0.05	0.40	0.88
80	0.12	0.005	0.20	0.008	38.69	0.04	0.58	1.27
80	0.13	0.005	0.19	0.007	34.88	0.04	0.68	1.49
80	0.14	0.006	0.18	0.007	31.25	0.03	0.78	1.72
80	0.15	0.006	0.17	0.007	27.83	0.03	0.90	1.98
80	0.17	0.007	0.15	0.006	21.58	0.02	1.16	2.54

**100 mesh twill weave, wire 0.10-0.12mm**

mesh	wire		aperture		open area	open area	weight	
	mm	inch	mm	inch	rate %	mm <sup>2</sup>	kg/m <sup>2</sup>	lbs/m <sup>2</sup>
100	0.10	0.004	0.15	0.006	36.76	0.02	0.50	1.10
100	0.11	0.004	0.14	0.006	32.14	0.02	0.61	1.33
100	0.12	0.005	0.13	0.005	27.83	0.02	0.72	1.58

**120 mesh twill weave, wire 0.10mm, 0.09mm**

mesh	wire		aperture		open area	open area	weight	
	mm	inch	mm	inch	rate %	mm <sup>2</sup>	kg/m <sup>2</sup>	lbs/m <sup>2</sup>
120	0.10	0.004	0.11	0.004	27.83	0.01	0.60	1.32
120	0.09	0.004	0.12	0.005	33.04	0.01	0.49	1.07

**150 mesh twill weave, wire 0.05mm, 0.06mm**

mesh	wire		aperture		open area	open area	weight	
	mm	inch	mm	inch	rate %	mm <sup>2</sup>	kg/m <sup>2</sup>	lbs/m <sup>2</sup>
150	0.05	0.002	0.12	0.005	49.66	0.01	0.19	0.41
150	0.06	0.002	0.11	0.004	41.69	0.01	0.27	0.59

**180 mesh twill weave, wire 0.05mm, 0.06mm**

mesh	wire		aperture		open area	open area	weight	
	mm	inch	mm	inch	rate %	mm <sup>2</sup>	kg/m <sup>2</sup>	lbs/m <sup>2</sup>
180	0.05	0.002	0.09	0.004	41.69	0.01	0.23	0.50
180	0.06	0.002	0.08	0.003	33.04	0.01	0.32	0.71

**200 mesh twill weave, wire 0.05mm, 0.06mm**

mesh	wire		aperture		open area	open area	weight	
	mm	inch	mm	inch	rate %	mm <sup>2</sup>	kg/m <sup>2</sup>	lbs/m <sup>2</sup>
200	0.05	0.002	0.08	0.003	36.76	0.01	0.25	0.55
200	0.06	0.002	0.07	0.003	27.83	0.00	0.36	0.79

**210 mesh twill weave, wire 0.05mm**

mesh	wire		aperture		open area	open area	weight	
	mm	inch	mm	inch	rate %	mm <sup>2</sup>	kg/m <sup>2</sup>	lbs/m <sup>2</sup>
210	0.05	0.002	0.07	0.003	34.41	0.01	0.26	0.58

**230 mesh twill weave, wire 0.05mm**

mesh	wire		aperture		open area	open area	weight	
	mm	inch	mm	inch	rate %	mm <sup>2</sup>	kg/m <sup>2</sup>	lbs/m <sup>2</sup>
230	0.05	0.002	0.06	0.002	29.95	0.00	0.29	0.63



250 mesh twill weave, wire 0.04mm

mesh	wire		aperture		open area		weight	
	mm	inch	mm	inch	rate %	mm <sup>2</sup>	kg/m <sup>2</sup>	lbs/m <sup>2</sup>
250	0.04	0.002	0.06	0.002	36.76	0.00	0.20	0.44

265 mesh twill weave, wire 0.04mm

mesh	wire		aperture		open area		weight	
	mm	inch	mm	inch	rate %	mm <sup>2</sup>	kg/m <sup>2</sup>	lbs/m <sup>2</sup>
265	0.04	0.002	0.06	0.002	33.95	0.00	0.21	0.47

270 mesh twill weave, wire 0.04mm

mesh	wire		aperture		open area		weight	
	mm	inch	mm	inch	rate %	mm <sup>2</sup>	kg/m <sup>2</sup>	lbs/m <sup>2</sup>
270	0.04	0.002	0.05	0.002	33.04	0.00	0.22	0.48

280 mesh twill weave, wire 0.04mm

mesh	wire		aperture		open area		weight	
	mm	inch	mm	inch	rate %	mm <sup>2</sup>	kg/m <sup>2</sup>	lbs/m <sup>2</sup>
280	0.04	0.002	0.05	0.002	31.25	0.00	0.22	0.49

300 mesh twill weave, wire 0.04mm

mesh	wire		aperture		open area		weight	
	mm	inch	mm	inch	rate %	mm <sup>2</sup>	kg/m <sup>2</sup>	lbs/m <sup>2</sup>
300	0.04	0.002	0.04	0.002	27.83	0.00	0.24	0.53

325 mesh twill weave, wire 0.035mm, 0.04mm

mesh	wire		aperture		open area		weight	
	mm	inch	mm	inch	rate %	mm <sup>2</sup>	kg/m <sup>2</sup>	lbs/m <sup>2</sup>
325	0.035	0.001	0.04	0.002	30.49	0.00	0.20	0.44
325	0.04	0.002	0.04	0.002	23.83	0.00	0.26	0.57

350 mesh twill weave, wire 0.035mm

mesh	wire		aperture		open area		weight	
	mm	inch	mm	inch	rate %	mm <sup>2</sup>	kg/m <sup>2</sup>	lbs/m <sup>2</sup>
350	0.035	0.001	0.037	0.001	26.80	0.00	0.21	0.47

400 mesh twill weave 400 mesh stainless steel wir...

mesh	wire	aperture		open area	open area	weight
------	------	----------	--	-----------	-----------	--------

	mm	inch	mm	inch	rate %	mm <sup>2</sup>	kg/m <sup>2</sup>	lbs/m <sup>2</sup>
400	0.03	0.001	0.03	0.001	27.83	0.00	0.18	0.40

**450 mesh twill weave, wire 0.028mm**

mesh	wire	aperture		open area	open area	weight		
	mm	inch	mm	inch	rate %	mm <sup>2</sup>	kg/m <sup>2</sup>	lbs/m <sup>2</sup>
450	0.028	0.001	0.028	0.001	25.40	0.00	0.18	0.39

**500 mesh twill weave, wire 0.025mm**

mesh	wire	aperture		open area	open area	weight		
	mm	inch	mm	inch	rate %	mm <sup>2</sup>	kg/m <sup>2</sup>	lbs/m <sup>2</sup>
500	0.025	0.001	0.03	0.001	25.79	0.00	0.16	0.34

**550 mesh twill weave, wire 0.02mm**

mesh	wire	aperture		open area	open area	weight		
	mm	inch	mm	inch	rate %	mm <sup>2</sup>	kg/m <sup>2</sup>	lbs/m <sup>2</sup>
550	0.02	0.001	0.026	0.001	32.14	0.00	0.11	0.24

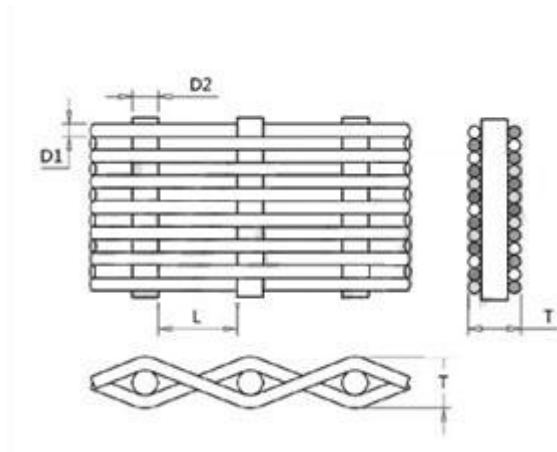
**600 mesh twill weave, wire 0.017mm**

mesh	wire	aperture		open area	open area	weight		
	mm	inch	mm	inch	rate %	mm <sup>2</sup>	kg/m <sup>2</sup>	lbs/m <sup>2</sup>
600	0.017	0.003	0.025	0.0009	42.71	0.00	0.086	0.189

**635 mesh twill weave, wire 0.015mm**

mesh	wire	aperture		open area	open area	weight		
	mm	inch	mm	inch	rate %	mm <sup>2</sup>	kg/m <sup>2</sup>	lbs/m <sup>2</sup>
635	0.015	0.003	0.025	0.0009	42.71	0.00	0.07	0.154

**Plain dutch weave**



**7×40-12×64 mesh plain dutch weave,wire 0.9×0.71-0.56×0.40mm**

mesh	wire mm	aperture	effective section	weight	thickness
warp x weft	warp x weft	µm	area%	kg/m <sup>2</sup>	mm
7×40	0.9×0.71	347	14.3	6.45	2.32
7×44	0.71×0.63	319	14.2	5.24	1.97
8×45	0.8×0.60	310	15.5	5.33	2.00
8×85	0.45×0.315	275	27.3	2.51	1.08
8.5×60	0.63×0.45	296	20.3	3.88	1.53
10×76	0.5×0.355	248	21.8	3.02	1.21
10×90	0.45×0.28	249	29.2	2.27	1.01
12×64	0.56×0.40	210	16.0	3.50	1.36

**12×86-17×120 mesh plain dutch weave,wire 0.45×0.315-0.355×0.224mm**

mesh	wire mm	aperture	effective section	weight	thickness
warp x weft	warp x weft	µm	area%	kg/m <sup>2</sup>	mm
12×86	0.45×0.315	211	20.9	2.74	1.08
12.5×76	0.45×0.355	192	15.9	3.02	1.16
14×76	0.45×0.355	173	14.3	3.10	1.16
14×100	0.40×0.28	182	20.3	2.52	0.96
14×110	0.355×0.25	177	22.2	2.16	0.855
16×100	0.4×0.28	160	17.7	2.60	0.96
16×120	0.28×0.224	145	19.2	1.81	0.728
17×120	0.355×0.224	155	22.4	2.04	0.803

**20×110-30×150 mesh plain dutch weave,wire 0.355×0.25-0.25×0.18mm**

mesh	wire mm	aperture	effective section	weight	thickness
warp x weft	warp x weft	µm	area%	kg/m <sup>2</sup>	mm
20×110	0.355×0.25	126	15.3	2.34	0.855
20×140	0.315×0.20	133	21.5	1.89	0.715
20×170	0.25×0.16	130	28.9	1.40	0.57
22×120	0.315×0.224	115	15.5	2.05	0.763

25×140	0.28×0.2	100	15.2	1.89	0.68
24×110	0.355×0.25	97	11.3	2.47	0.855
28×150	0.28×0.18	92	15.9	1.76	0.64
30×150	0.25×0.18	82	13.5	1.68	0.61

### 30×140-50×300 mesh plain dutch weave, wire 0.315×0.20-0.16×0.09mm

mesh	wire mm	aperture	effective section	weight	thickness
warp x weft	warp x weft	μm	area%	kg/m <sup>2</sup>	mm
30×140	0.315×0.20	77	11.4	2.14	0.715
35×190	0.224×0.14	74	16.8	1.37	0.504
35×170	0.224×0.16	69	12.8	1.52	0.544
40×200	0.18×0.135	63	15.4	1.23	0.43
45×250	0.16×0.11	56	15.2	1.04	0.384
50×250	0.14×0.112	53	-	1.03	-
50×270	0.14×0.10	50	15.2	0.92	0.34
50×300	0.16×0.09	55	20.0	0.92	0.34

### 60×270-70×340 mesh plain dutch weave 60×270-70×340 mesh ...

mesh	wire mm	aperture	effective section	weight	thickness
warp x weft	warp x weft	μm	area%	kg/m <sup>2</sup>	mm
60×270	0.14×0.1	39	11.2	0.97	0.34
60×300	0.14×0.09	41	14.1	0.90	0.32
60×500	0.14×0.055	51	34.1	0.67	0.252
65×390	0.125×0.071	42	19.1	0.74	0.267
65×750	0.10×0.036	36	37.1	0.40	0.172
70×340	0.125×0.08	35	13.2	0.81	0.285

### 70×390-80×350 mesh plain dutch weave, wire 0.112×0.071-0.10×0.086mm

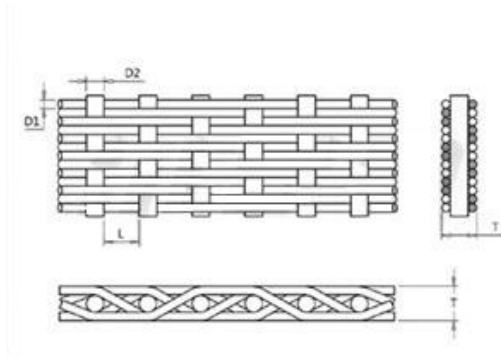
mesh	wire mm	aperture	effective section	weight	thickness
warp x weft	warp x weft	μm	area %	kg/m <sup>2</sup>	mm
70×390	0.112×0.071		16.3	0.71	0.254
70×350	0.12×0.08	35	-	0.81	-
70×400	0.12×0.07		-	0.74	-
70×930	0.10×0.03	30	36.2	0.38	0.16
77×560	0.14×0.05	38	27.5	0.72	0.24
80×350	0.10×0.086		-	0.84	-

### 80×400-100×1200 mesh plain dutch weave, wire 0.10×0.07-0.063×0.023mm

mesh	wire mm	aperture	effective section	weight	thickness
warp x weft	warp x weft	μm	area%	kg/m <sup>2</sup>	mm
80×400	0.10×0.07	40	-	0.69	-
80×600	0.1×0.045	37	29.8	0.50	0.19
80×700	0.125×0.04	40	38.1	0.59	0.205

80×430	0.125×0.063	32	16.6	0.74	0.251
100×600	0.10×0.045	-	-	0.55	-
100×800	0.10×0.035	-	-	0.50	-
100×1200	0.063×0.023	23	37.6	0.25	0.109

## Twill dutch weave



20×270-30×270 mesh twill dutch weave, wire 0.25×0.20-0.28×0.20mm

mesh	wire mm	aperture	effective section	weight	thickness
warp x weft	warp x weft	μm	area%	kg/m <sup>2</sup>	mm
20×270	0.25×0.2	119	17.6	3.01	0.65
20×200	0.355×0.28	118	12.1	4.55	0.915
24×300	0.28×0.18	110	19.6	2.90	0.64
20×150	0.45×0.355	101	7.5	5.73	1.16
30×340	0.28×0.16	89	17.9	2.76	0.60
30×270	0.28×0.20	77	11.2	3.28	0.68

40×540-70×600 mesh twill dutch weave, wire 0.18×0.10-0.14×0.09mm

mesh	wire mm	aperture	effective section	weight	thickness
warp x weft	warp x weft	μm	area%	kg/m <sup>2</sup>	mm
40×540	0.18×0.10	70	23.5	1.67	0.38
40×430	0.18×0.125	63	15.4	2.00	0.43
50×600	0.125×0.09	51	17.2	1.41	0.305
50×500	0.14×0.11	47	12	1.75	0.364
65×600	0.14×0.09	36	-	1.53	0.32
70×600	0.14×0.09	31	10.1	1.39	-

78×760-100×850 mesh twill dutch weave, wire 0.112×0.071-0.10×0.063mm

mesh	wire mm	aperture	effective section	weight	thickness
warp x weft	warp x weft	μm	area%	kg/m <sup>2</sup>	mm
78×760	0.112×0.071	-	13.5	1.20	0.254
78×680	0.112×0.08	29	10.3	1.33	0.272
80×680	0.112×0.08	28	9.8	1.33	-
90×850	0.10×0.063	26	12.7	1.06	0.226

90×760	0.10×0.071	24	9.6	1.18	0.242
100×760	0.10×0.071	20	7.4	1.20	0.242
100×850	0.10×0.063	22	10	1.09	0.226

130×1100-165×1500 mesh twill dutch weave 130×1100-165×1500 mesh...

mesh	wire mm	aperture	effective section	weight	thickness
warp x weft	warp x weft	µm	area%	kg/m <sup>2</sup>	mm
130×1100	0.071×0.05	17	9.4	0.85	0.171
130×1200	0.071×0.045	18	12	0.77	0.161
130×1500	0.063×0.036	21	18.6	0.61	0.135
150×1400	0.063×0.04	15	11.4	0.70	0.143
160×1500	0.063×0.036	-	12.4	0.64	0.135
165×1500	0.063×0.036	14	11.4	0.65	-

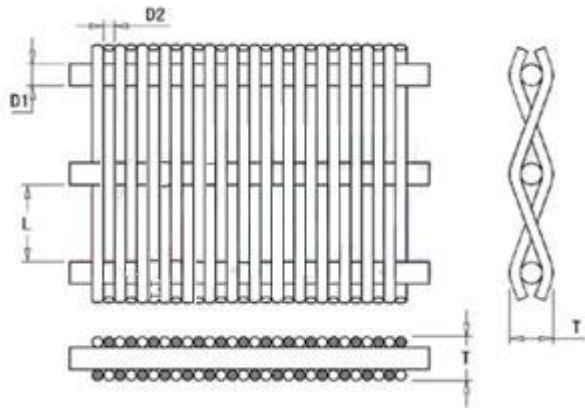
174×1700-216×1800 mesh twill dutch weave,wire 0.063×0.032-0.045×0.03mm

mesh	wire mm	aperture	effective section	weight	thickness
warp x weft	warp x weft	µm	area%	kg/m <sup>2</sup>	mm
174×1700	0.063×0.032	13	12.9	0.60	0.127
165×1400	0.063×0.04	-	8.8	0.721	0.143
174×1400	0.063×0.04	11	7.4	0.73	-
203×1500	0.056×0.036	9	6.2	0.64	0.128
203×1600	0.05×0.032	10	9.3	0.53	0.114
216×1800	0.045×0.03	-	9.4	0.51	0.105

250×1600-500×3500 mesh twill dutch weave,wire 0.05×0.032-0.025×0.015mm

mesh	wire mm	aperture	effective section	weight	thickness
warp x weft	warp x weft	µm	area%	kg/m <sup>2</sup>	mm
250×1600	0.05×0.032	-	3.8	0.56	0.114
250×1900	0.04×0.028	8	7.8	0.47	0.096
285×2100	0.036×0.025	7	7.2	0.42	0.086
300×2100	0.036×0.025	6	6.0	0.42	-
317×2100	0.036×0.025	5	4.7	0.43	-
325×2300	0.036×0.024	4	4.2	0.43	-
363×2300	0.032×0.022	-	4.5	0.37	0.076
400×2700	0.028×0.02	-	4.7	0.34	0.068
500×3500	0.025×0.015	3	4.9	0.27	0.055

## Reverse plain dutch weave



1005X200-720X150 mesh Reverse plain dutch,wire 0.025X0.050-0.035X0.100mm

mesh		wire		Microretention		Porosity	weight
warp	weft	warp mm	weft mm	abs. $\mu\text{m}$	nom. $\mu\text{m}$	%	kg/m <sup>2</sup>
1005	200	0.025	0.050	15-17	10		0.28
912	154	0.028	0.090	18-22	13		0.49
720	150	0.035	0.112	16-20	15	45	0.69
720	150	0.035	0.100	20-24	14	45	0.59

625X134-625X104 mesh Reverse plain dutch,wire 0.041X0.130-0.042X0.150mm

mesh		wire		Microretention		Porosity	weight
warp	weft	warp mm	weft mm	abs. $\mu\text{m}$	nom. $\mu\text{m}$	%	kg/m <sup>2</sup>
625	134	0.041	0.130	18-23	14		0.82
625	132	0.042	0.130	20-26	17		0.83
625	106	0.042	0.140	23-28	25		0.79
625	104	0.042	0.150	25-32	30		0.86

290X74-175X40 mesh Reverse plain dutch weave,wire 0.09X0.20-0...

mesh		wire		Microretention		Porosity	weight
warp	weft	warp mm	weft mm	abs. $\mu\text{m}$	nom. $\mu\text{m}$	%	kg/m <sup>2</sup>
290	74	0.090	0.200	38-45	40		1.32
290	60	0.090	0.230	43-51	50		1.38
175	50	0.150	0.300	62-68	60	47	2.10
175	45	0.150	0.320	90-102	100		2.13
175	40	0.150	0.350	100-112	108		2.20

130X35-66X18 mesh Reverse plain dutch,wire 0.20X0.40-0.30X0.40mm

mesh		wire		Microretention		Porosity	weight
warp	weft	warp mm	weft mm	abs. $\mu\text{m}$	nom. $\mu\text{m}$	%	kg/m <sup>2</sup>
130	35	0.200	0.400	83-90	80	49	2.70
130	30	0.200	0.450	100-108	100		2.81
84	25	0.320	0.400	150-180	150		3.15

66

18

0.300

0.400

210-230

200

2.20